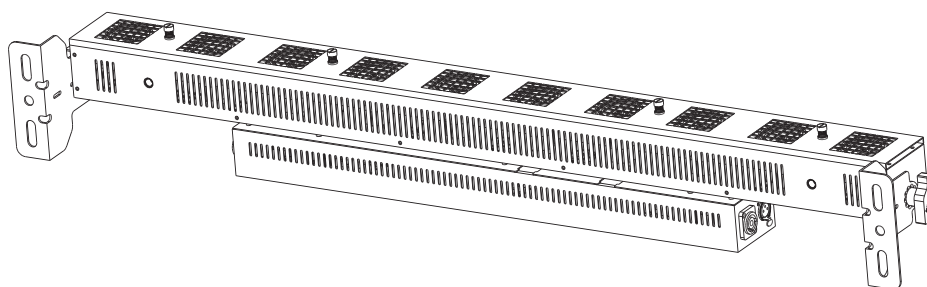


# Service Manual

## *Sungrip Active*



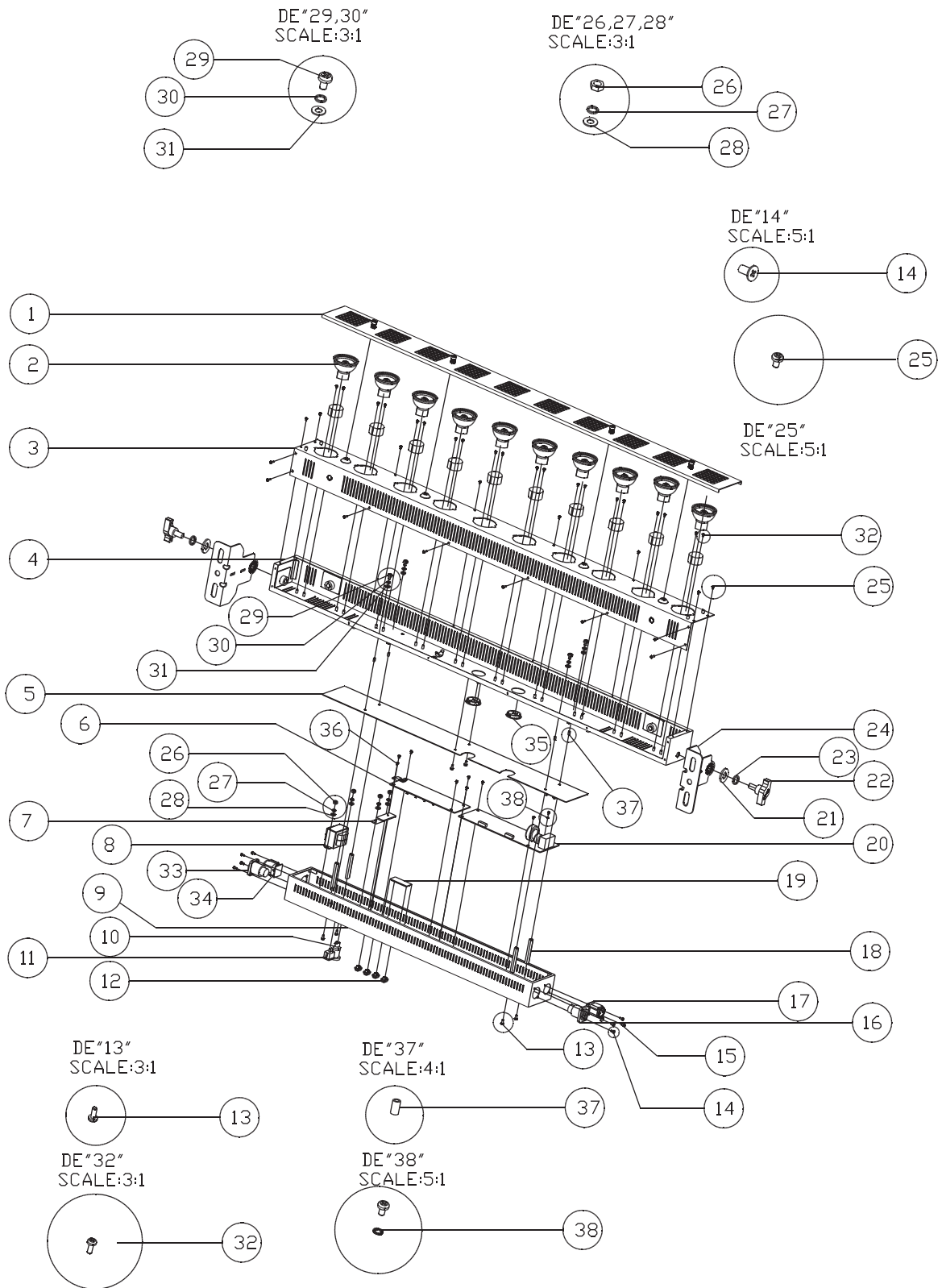
BOM code(26-024-0161-00)



Website: [www.highlite.nl](http://www.highlite.nl)  
E-mail sales: [slaes@highlite.nl](mailto:slaes@highlite.nl)  
E-mail export: [export@highlite.nl](mailto:export@highlite.nl)

**Appendix I**  
**Complete Exploded View**  
**& Parts List**

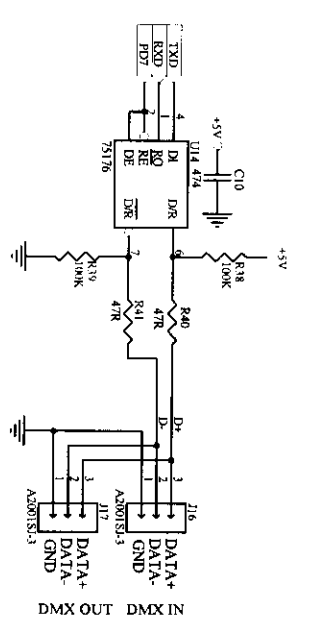
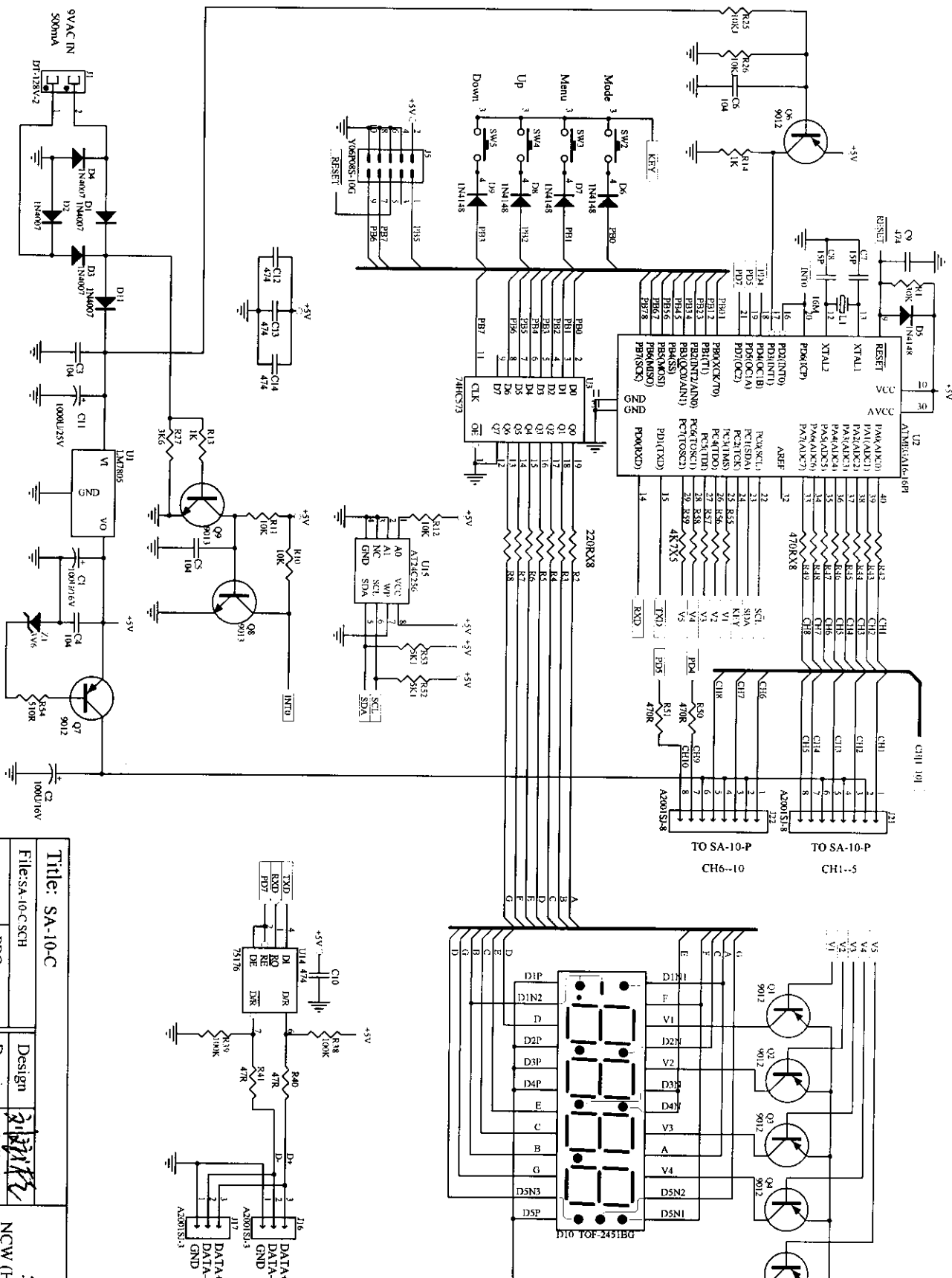
# Exploded View



## EXPLODED VIEW PART LIST

REF.NO.	PART NO.	DESCRIPTION
1	23-001-2800	Steel shielding cover
2	12-004-0043	High voltage halogen lamp
3	23-001-2798	Front panel
4	23-001-2799	Base case
5	23-001-2803	Adiabatic plate
6	27-001-0999	KIT SA-10-C
7	23-001-2804	Heat sink
8	10-004-0102	Bridged transformer
9	23-150-0107	Base case(Rear)
10	20-002-0019	Fuse holder
11	11-001-0009	Power switch
12	21-002-0037	Push button
13	22-001-0114	Round crosshead metric screw(Black), M4x6
14	22-001-0020	Flat crosshead metric screw(black), M3x8
15	22-003-0003	Small round crosshead plastic screw(black), 3x8
16	15-004-0048	Power outlet, Neutrik powercon(white)
17	27-001-0531	KIT DMX-F
18	25-005-0082	Hex. Copper spacer
19	25-008-0047	Transparent blue display cover, acrylic
20	27-001-1000	KIT SA-10-P
21	22-006-0050	Plain washer, M10
22	22-004-0032	"S"-like bakelite screw
23	22-005-0024	Spring ring, M10
24	23-001-2801	Supporting plate
25	22-001-0037	Round crosshead metric screw(black), M3x6
26	22-007-0001	Sliver hexagon screw cap, M3
27	22-005-0001	Silver spring ring, M3
28	22-006-0024	Sliver plain washer, M3
29	22-001-0286	Round crosshead metric screw(black), M4x20
30	22-005-0020	Black spring ring, M4
31	22-006-0018	Black plain washer, M4
32	22-001-0046	Small round crosshead metric screw(silver), M3x10
33	15-005-0019	Power outlet, Neutrik powercon(Blue)
34	27-001-0532	KIT DMX-M
35	25-003-0041	Shielding cable ring
36	22-003-0035	Round crosshead metric screw(silver), 3x6
37	25-022-0792	Aluminum spacer
38	22-008-0002	External stared washer(silver), M3

**Appendix II**  
**Complete Exploded View**  
**& Parts List**



Title: SA-10-C		Design		
File: SA-10-C-SCH		Drawing		
Revision	PRO: 1.0	Verify		
Date: 6-DEC-2004	NOW: 1.1	Approve		

**NCW**  
 NCW (HOLDINGS) LIMITED  
 TEL: (852) 27969786  
 FAX: (852) 27986545  
 E-mail: info@botex.com

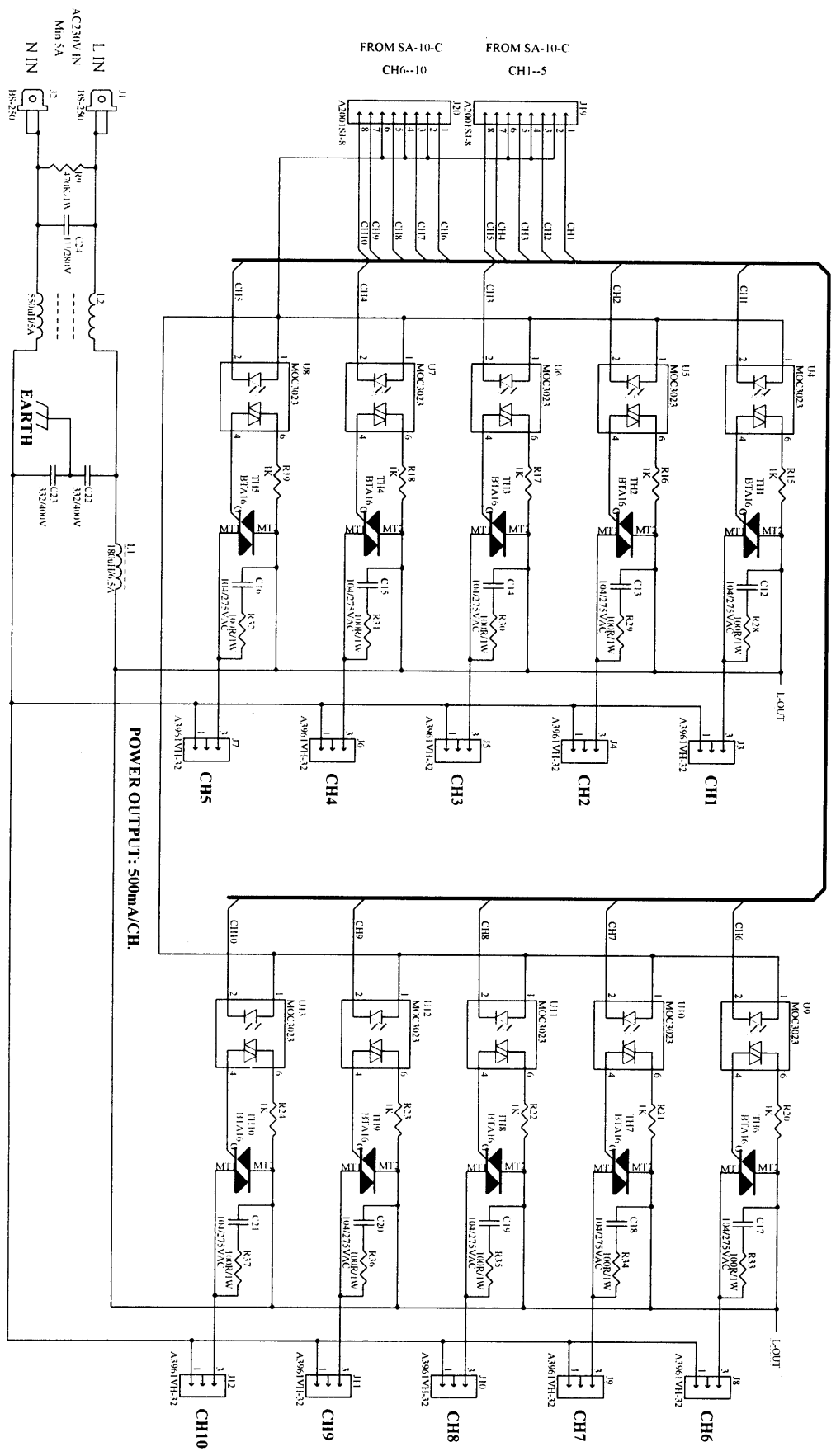
## SA-10-C

## Bill of Material for KIT SA-10-C(27-000-0999)

Usage	Part Type	Designator	Description	Store Code
1	ATMEGA16-16PI	U2	IC 40PIN	01-001-0062
1	AT24C256	U15	IC EEPROM	01-002-0043
1	74HC573	U3	IC	01-003-0066
1	LM7805	U1	IC, regulator	01-004-0001
1	75176	U14	IC 8PIN	01-005-0008
2	47R	R40 R41	CF-R,47R 1/4W 5%	02-001-0021
7	220R	R2 R3 R4 R5 R6 R7 R8	CF-R,220R 1/4W 5%	02-001-0034
10	470R	R42 R43 R44 R45 R46 R47 R48 R49 R50 R51	CF-R,470R 1/4W 5%	02-001-0041
1	510R	R54	CF-R,510R 1/4W 5%	02-001-0042
2	1K	R13 R14	CF-R,1K 1/4W 5%	02-001-0049
1	3K6	R27	CF-R,3.6K 1/4W 5%	02-001-0059
5	4K7	R55 R56 R57 R58 R59	CF-R,4K7 1/4W 5%	02-001-0062
2	5K1	R52 R53	CF-R,5K1 1/4W 5%	02-001-0063
3	10K	R10 R11 R12	CF-R,10K 1/4W 5%	02-001-0070
1	30K	R1	CF-R,30K 1/4W 5%	02-001-0078
2	100K	R38 R39	CF-R,100K 1/4W 5%	02-001-0091
2	10KJ	R25 R26	MF-R 10K 1/4W 1%	02-002-0020
2	15P	C7 C8	C-CAP 15PF DC 50V P=5.08	03-001-0005
2	100U/16V	C1 C2	E CAP 100UF 16V P=2.54 D=6.4	03-002-0011
1	1000U/25V	C11	E CAP 1000UF 25V P=5.0 D=10	03-002-0027
4	104	C3 C4 C5 C6	MONO CAP 63V P=5.08	03-003-0011
5	474	C10 C12 C13 C14 C9	MONO CAP 474 63V P=5.08	03-003-0012
5	1N4148	D5 D6 D7 D8 D9	Signal switching diode, 1N4148 100V 150mA 0.5W	04-001-0001
5	1N4007	D1 D11 D2 D3 D4	Commutation diode,1N4005 1A 1000V	04-001-0003
1	3V6	Z1	ZENER DIODE 3.6V 0.5W 1N5227B	04-002-0002
7	9012	Q1 Q2 Q3 Q4 Q5 Q6 Q7	PNP,25V 0.1A 0.6W	05-001-0001
2	9013	Q8 Q9	NPN,25V 0.1A 0.6W	05-001-0002
4	A095-7	SW2 SW3 SW4 SW5	Push button, H=7mm	11-007-0027
1	TOF-2451BG	D10	Digital segment display	12-003-0010
1	16M	L1	Short crystal, 16M	14-002-0004
2	IC SOCKET		8PIN W=8 RECTANGLE	15-006-0002

			SA-10-C	
1	IC SOCKET		20PIN W=8 RECTANGLE	15-006-0006
1	IC SOCKET		40PIN W=16 RECTANGLE	15-006-0009
1	Y06P08S-10G	J5	Y06P08S-16G 5PINX2	16-001-0062
2	A2001SJ-3	J16 J17	CONNECTOR 3PIN P=2mm	16-001-0104
2	A2001SJ-8	J21 J22	CONNECTOR 8PIN P=2mm	16-001-0109
1	DT-128V-2	J1	TERMINAL DT-128V-2 300V 10A	16-003-0005
1	SA-10-C	REV1.1	163X54X1.6mm FR4	18-002-0412





Title: SA-10-P		Design		
File: SA-10-P SCH		Drawing		
Revision	PRO: 1 21	Verify		NCW (HOLDINGS) LIMITED TEL: (852) 27969786 FAX: (852) 27986545 E-mail: info@botex.com
Date: Apr-19-2006	NOW: 1 22	Approve		

## SA-10-P

Bill of Material for KIT SA-10-P(27-001-1000)

DATE:Apr-19-2006

Usage	Part Type	Designator	Description	STORE CODE
10	MOC3023	U4-13	IC	01-006-0007
2	0R		CF-R,0r 1/4W 5%	02-001-0000
10	1K	R15-24	CF-R,1K 1/4W 5%	02-001-0049
10	100R/1W	R28-37	CF-R,100R 1W 5%	02-001-0210
1	470K/1W	R9	CF-R,470K 1W 5%	02-001-0252
10	104/275VAC	C12-21	Metal film-CAP 104 275VAC	03-004-0027
1	1U/280V	C24	Interface-CAP 1U 280VAC P=26.7	03-004-0076
2	332/400V	C22 C23	HC CAP 332 400V P=8	03-007-0006
10	BTA16	TH1-10	TRIAC 600V 16A	05-002-0009
1	550uH/5A	L2	FILTER COIL 550UH/5A	07-002-0082
1	180uH/6.5A	L1	FILTER COIL 180uH/6.5A	07-002-0084
2	BS-250	J1 J2	TERMINAL	16-001-0049
2	A2001SJ-8	J19 J20	CONNECTOR 8PIN P=2mm	16-001-0109
10	A3961VH-32	J3-12	CONNECTOR 3PIN P=3.96mm	16-001-0196
1	SA-10-P	REV1.2	206X66X1.6mm CEM-1	18-001-0384
1	METAL PART		USED FOR GND	25-022-0051